

# TRANSISTOR MOUNTING KITS

Designers' Choice



- COMPLETE KITS OR INDIVIDUAL HARDWARE • PRE PACKAGED • UNIFORM HARDWARE AT LOW COST

These pre-packaged universal mounting kits provide all the necessary hardware and insulators required to securely mount the semiconductor to the chassis. Purchase the complete kit consisting of all hardware included in one package.

Your choice of individual items available in 100 piece packages. We welcome suggestions for improving these kits and will render prompt quotations for specially packaged hardware. Keystone does not supply any semiconductors.

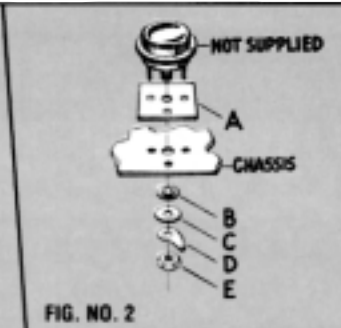
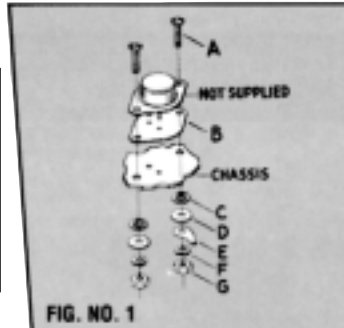
**ORDERING INFORMATION:** Individual parts are sold in not less than 100 pieces of an item. Complete kits are ordered by specifying the complete mounting kit catalog number.

## FOR TO-3 CASE

FIG. 1

Item	Cat. No.	Description	Quan
A	4696	6-32 Screws	2
B	4651	Mica Insulator	1
C	4698	Shoulder Washers	2
D	4699	Metal Washers	2
E	4004	Solder Terminal	1
F	4700	Lockwashers	2
G	4701	6-32 Nuts	2

CAT. NO. 4725 Complete Mounting Kit



## FOR TO-66 CASE

FIG. 1

Item	Cat. No.	Description	Quan
A	4696	6-32 Screws	2
B	4666	Mica Insulator	1
C	4698	Shoulder Washers	2
D	4699	Metal Washers	2
E	4004	Solder Terminal	1
F	4700	Lockwashers	2
G	4701	6-32 Nuts	2

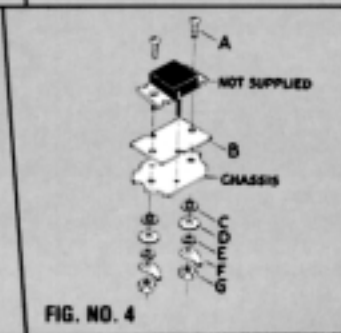
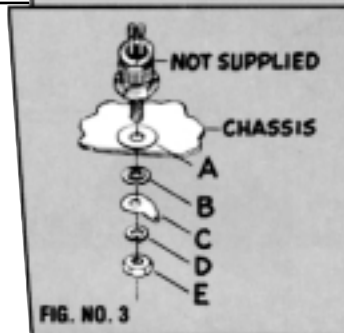
CAT. NO. 4726 Complete Mounting Kit

## FOR TO-36 CASE

FIG. 2

Item	Cat. No.	Description	Quan
A	4656	Mica Insulator	1
B	4702	Shoulder Washer	1
C	4703	Metal Washers	1
D	4704	Solder Terminal	1
E	4705	10-32 Nuts	1

CAT. NO. 4727 Complete Mounting Kit



## FOR PLASTIC CASE

FIG. 4

Item	Cat. No.	Description	Quan
A	4683	4-40 Screws	2
B	4663	Mica Insulator	1
C	343	Shoulder Washers	2
D	4692	Metal Washers	2
E	4693	Lockwashers	2
F	4695	Solder Terminal	2
G	4694	4-40 Nut	2

CAT. NO. 4728 Complete Mounting Kit

## FOR DO-4, TO -59, TO-60, TO-62 CASE

FIG. 3

Item	Cat. No.	Description	Quan
A	4681	Mica Insulator	1
B	4702	Shoulder Washer	1
C	4704	Solder Terminal	1
D	1477	Lockwasher	1
E	4705	10-32 Nuts	1

CAT. NO. 4729 Complete Mounting Kit

## FOR DO-5, TO-48, TO-61 CASE

FIG. 3

Item	Cat. No.	Description	Quan
A	4682	Mica Insulator	1
B	4711	Shoulder Washer	1
C	4712	Solder Terminal	1
D	1476	Lockwasher	1
E	4713	1/4-28 Nuts	1

CAT. NO. 4730 Complete Mounting Kit

## FOR TO-220 CASE

FIG. 4

Item	Cat. No.	Description	Quan
A	4690	4-40 Screws	1
B	4672	Mica Insulator	1
C	3049	Shoulder Washer	1
E	4693	Lockwasher	1
G	4694	4-40 Nuts	1

CAT. NO. 4724 Complete Mounting Kit

## FOR TO-63 CASE

FIG. 3

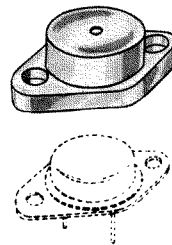
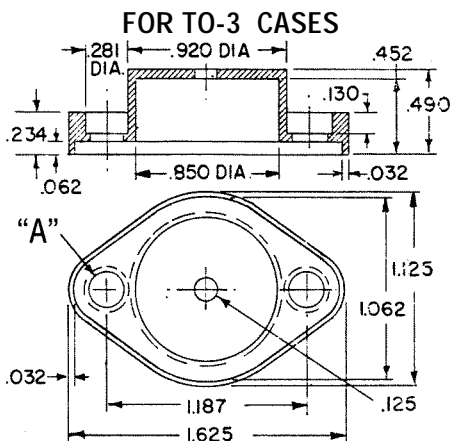
Item	Cat. No.	Description	Quan
A	4683	Mica Insulator	1
B	3241	Shoulder Washer	1
D	1485	Lockwasher	1
E	4716	5/16-24 Nut	1

CAT. NO. 4731 Complete Mounting Kit

## POWER TRANSISTOR COVERS

Molded nylon covers easily mount over and insulate the power transistor. Will withstand temperatures to approx. 300 °F.

Available with or without brass eyelets installed in mounting holes to assure proper electrical contact with collector/case.



CAT. NO.	FOR	EYELETS INSTALLED	I.D. "A"
4632	TO-3	NONE	.210
4634	TO-3	TWO	.140
4633	TO-66	NONE	.155
4635	TO-66	TWO	.130

